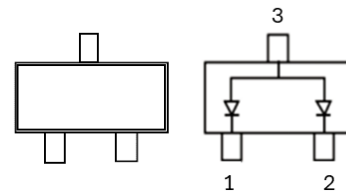


### FEATURES AND BENEFITS

Product Summary		
$I_{FM}$	225mA	@25 °C
$V_F$	1.0V	@100mA
$V_{RRM}$	250V	@25 °C

- For General Purpose Switching Applications
- High Conductance
- RoHS Compliant / Green EMC UL Flammability Classification Rating 94V-0
- Matte Tin (Sn) Lead finish Solderable per MIL-STD-202, Method 208
- Moisture Sensitivity: Level 1 per J-STD-020
- Weight: 0.008 grams (Approximate)

SOT-23



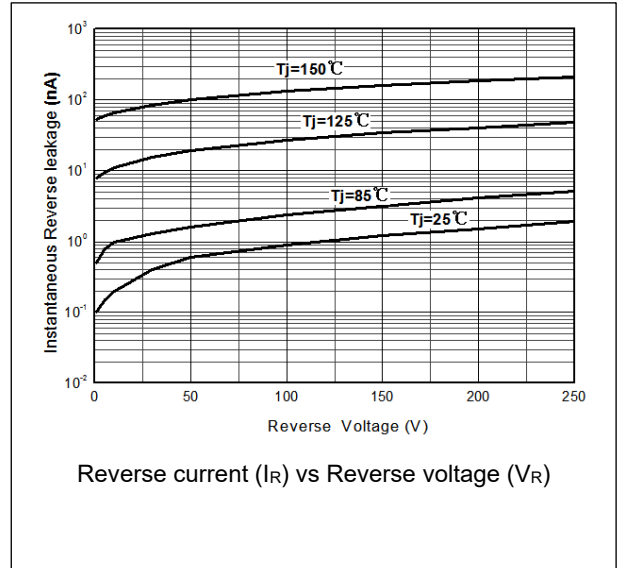
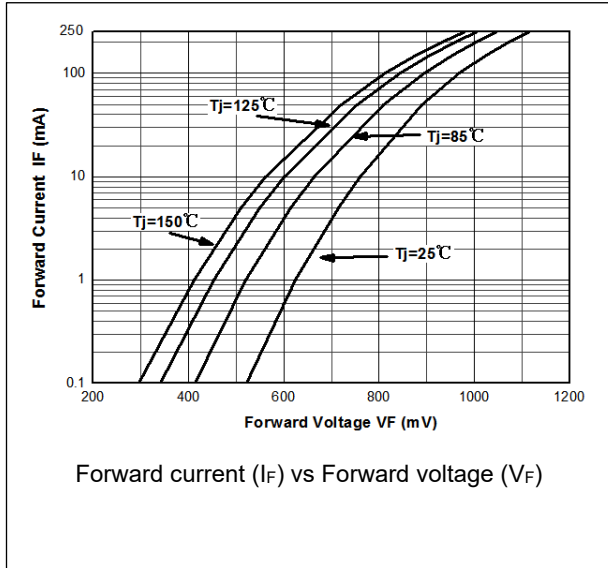
Maximum Ratings (TA = 25 °C unless otherwise noted)			
PARAMETER	SYMBOL	VALUE	UNIT
Repetitive Peak Reverse Voltage	$V_{RRM}$	250	V
Working reverse voltage	$V_{RWM}$	200	V
Forward Continuous Current	$I_{FM}$	225	mA
Non-Repetitive Peak Forward Surge Current (@t=1uS)	$I_{FSM}$	9.0	A
Power Dissipation	$P_{TM}$	350	mW
Junction Temperature	$T_J$	150	°C
Storage Temperature	$T_{STG}$	-65 to 150	°C

THERMAL CHARACTERISTICS (TA = 25 °C unless otherwise noted)			
PARAMETER	SYMBOL	VALUE	UNIT
Thermal Resistance from Junction to Ambient*	$R_{\theta JA}$	357	°C/W

\* Device mounted on 1"x1" FR4 PCB

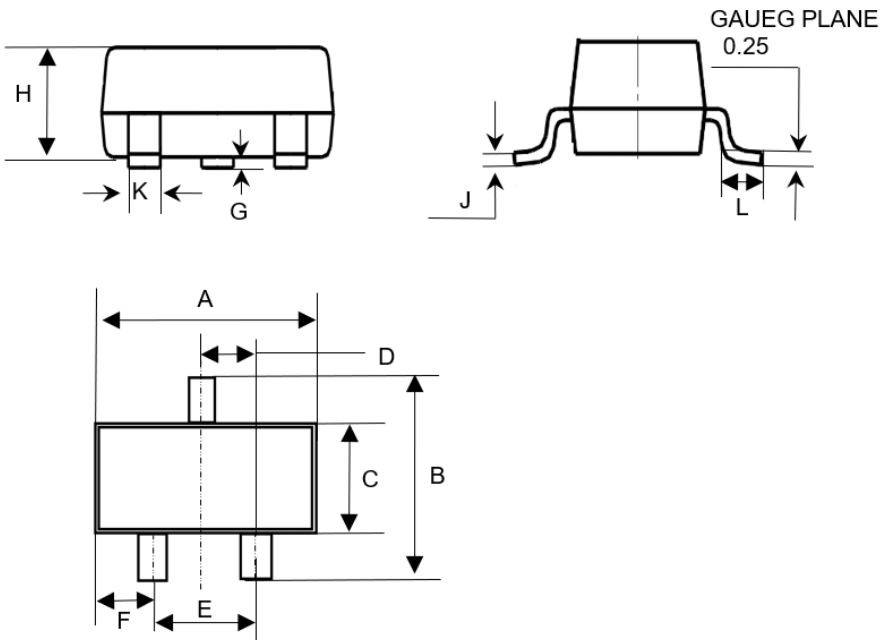
ELECTRICAL CHARACTERISTICS (TA = 25 °C unless otherwise noted)						
PARAMETER	SYMBOL	CONDITION	MIN	TYP	MAX	UNIT
Forward Voltage	$V_F$	$I_F = 100mA$			1.00	V
		$I_F = 200mA$			1.25	
Reverse Current	$I_R$	$V_R = 250V$			100	nA
Capacitance	$C_T$	$V_R = 0V, f = 1MHz$		5		pF
Reverse Recovery Time	$t_{rr}$	$I_F = I_R = 30mA, I_{rr} = 3mA, R_L = 100\Omega$			50	nS

**RATING AND CHARACTERISTICS CURVES**



### PACKAGE OUTLINE DIMENSIONS

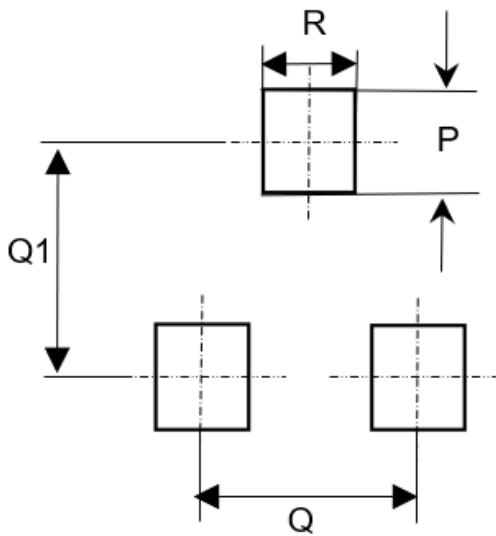
#### SOT-23



Symbol	MIN	MAX
A	2.800	3.040
B	2.100	2.640
C	1.200	1.400
D	0.890	1.030
E	1.780	2.050
F	0.450	0.600
G	0.013	0.100
H	0.900	1.110
J	0.085	0.180
K	0.370	0.510
L	0.300	0.500
Unit: mm		

**SUGGESTED PAD LAYOUT**

---



Symbol	Type
Q	1.900
Q1	2.000
P	0.900
R	0.800
Unit: mm	

Land Pattern Recommendation

**DEVICE MARKING AND ORDERING INFORMATION**

DEVICE	Marking	Quantity	Packing
BAV23A	KT7	3000/Reel	Tape & Reel

## NOTICE:

AZUREMOTO'S PRODUCTS ARE NOT AUTHORIZED FOR USE AS COMPONENTS IN ANY LIFE SUPPORT DEVICES OR SYSTEMS.  
AZUREMOTO RESERVES THE RIGHT TO MAKE CHANGES WITHOUT FURTHER NOTICE TO ANY PRODUCTS HEREIN TO IMPROVE  
RELIABILITY OR RUGGEDNESS.