

FEATURES AND BENEFITS

Product Summary		
I_o	200mA	@25 °C
V_F	1.0V	@100mA
V_{RRM}	250V	@25 °C

- For General Purpose Switching Applications
- High Conductance
- RoHS Compliant / Green EMC UL Flammability Classification Rating 94V-0
- Matte Tin (Sn) Lead finish Solderable per MIL-STD-202, Method 208
- Moisture Sensitivity: Level 1 per J-STD-020
- Weight: 0.01 grams (Approximate)

SOD-123



Maximum Ratings (TA = 25 °C unless otherwise noted)			
PARAMETER	SYMBOL	VALUE	UNIT
Repetitive Peak Reverse Voltage	V_{RRM}	250	V
Working Reverse Voltage	V_{RWM}	200	V
RMS Reverse Voltage	$V_{R(RMS)}$	141	V
Average Rectified Output Current	I_o	200	mA
Non-Repetitive Peak Forward Surge Current (@t=1.0us)	I_{FSM}	4.0	A
Power Dissipation	P_{TM}	410	mW
Junction Temperature	T_J	150	°C
Storage Temperature	T_{STG}	-55 to +150	°C

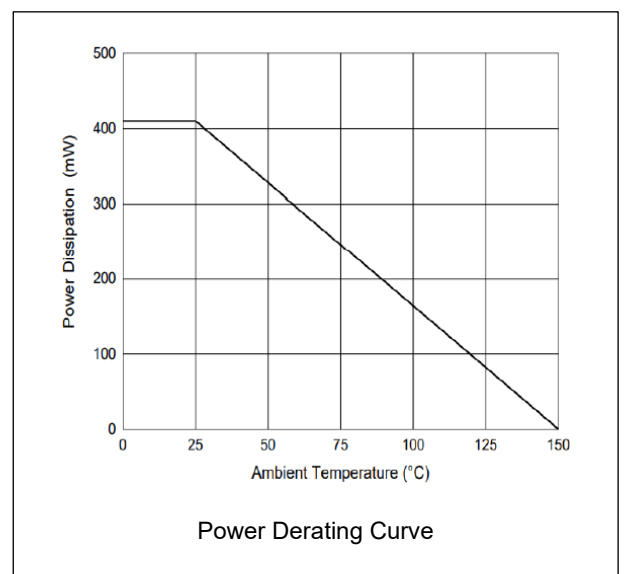
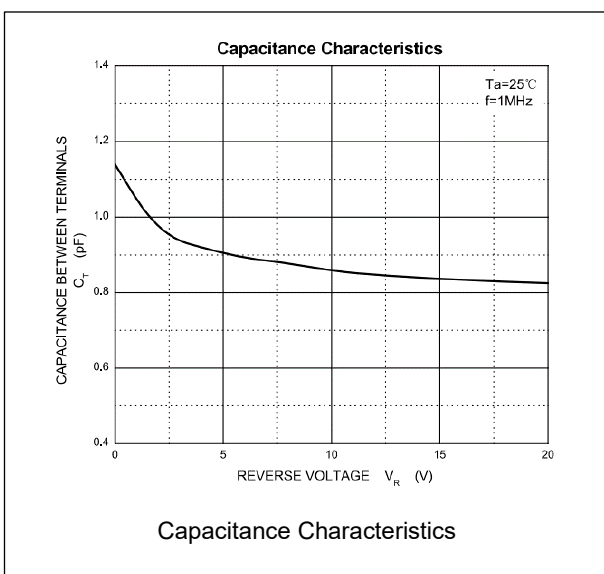
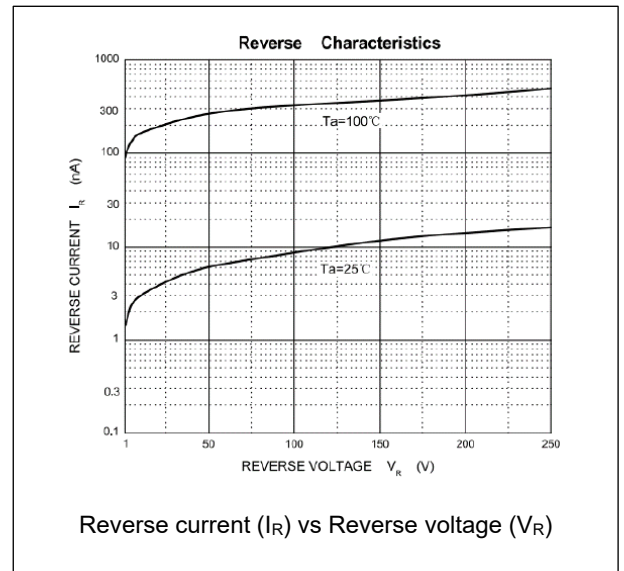
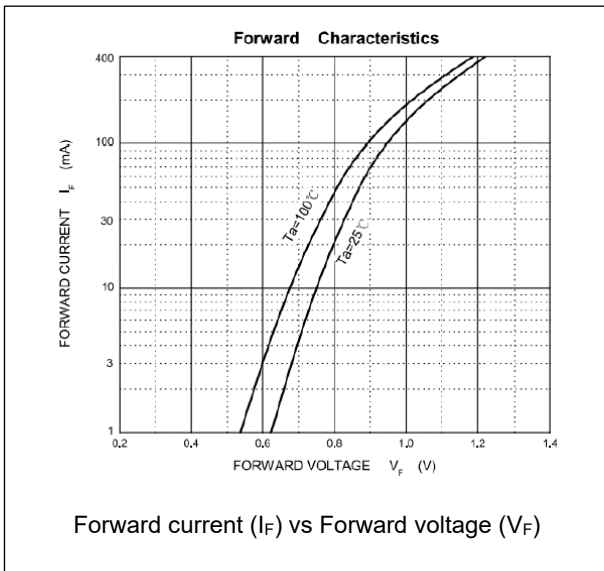
THERMAL CHARACTERISTICS (TA = 25 °C unless otherwise noted)			
PARAMETER	SYMBOL	VALUE	UNIT
Thermal Resistance from Junction to Ambient*	$R_{\theta JA}$	305	°C/W

* Device mounted on 1"x1" FR4 PCB

ELECTRICAL CHARACTERISTICS (TA = 25 °C unless otherwise noted)

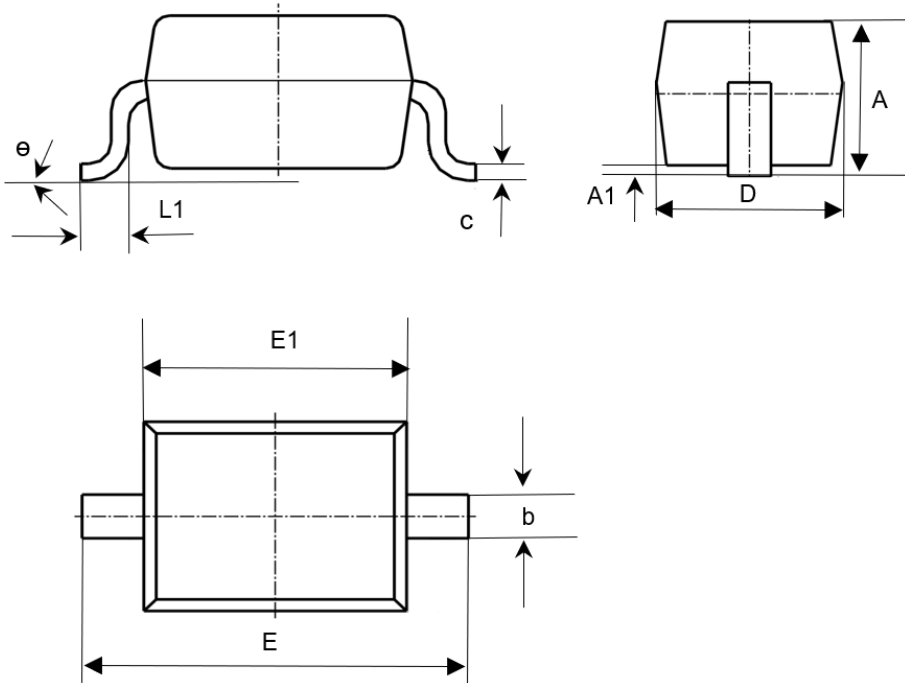
PARAMETER	SYMBOL	CONDITION	MIN	MAX	UNIT
Forward Voltage	V _F	I _F = 100mA		1.00	V
		I _F = 200mA		1.25	
Reverse Current	I _R	V _R = 200V		0.1	μA
Capacitance	C _T	V _R = 0V, f = 1MHz		5.0	pF
Reverse Recovery Time	t _{rr}	I _F = 30mA, I _R = 30mA, I _{rr} = 0.1*I _R , R _L = 100ohm		50	ns

RATING AND CHARACTERISTICS CURVES



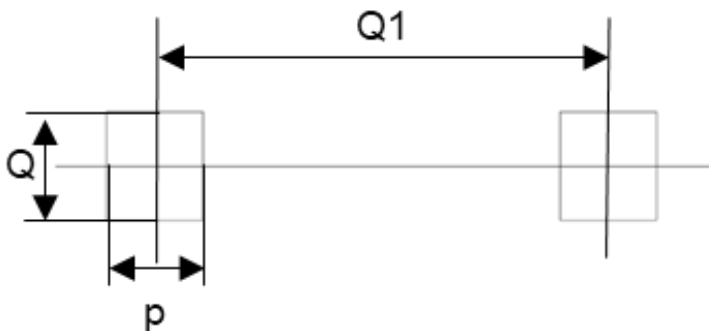
PACKAGE OUTLINE DIMENSIONS

SOD-123



Symbol	MIN	MAX
A	1.05	1.25
A1	0.00	0.10
b	0.45	0.65
c	0.08	0.15
D	1.50	1.70
E	3.55	3.85
E1	2.60	2.80
L1	0.25	0.45
θ	0°	8°
Unit: mm		

SUGGESTED PAD LAYOUT



Symbol	Typ
Q1	3.24
Q	1.0
p	0.8
Unit: mm	

DEVICE MARKING AND ORDERING INFORMATION

DEVICE	Marking	Quantity	Packing
BAV21W	T3	3000/Reel	Tape & Reel

NOTICE:

AZUREMOTO'S PRODUCTS ARE NOT AUTHORIZED FOR USE AS COMPONENTS IN ANY LIFE SUPPORT DEVICES OR SYSTEMS.
AZUREMOTO RESERVES THE RIGHT TO MAKE CHANGES WITHOUT FURTHER NOTICE TO ANY PRODUCTS HEREIN TO IMPROVE
RELIABILITY OR RUGGEDNESS.