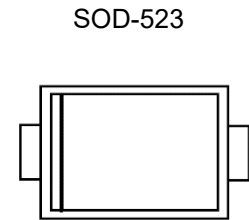


### FEATURES AND BENEFITS

Product Summary		
$I_F$	200mA	@25 °C
$V_F$	0.715V	@20mA
$V_{RRM}$	75V	@25 °C

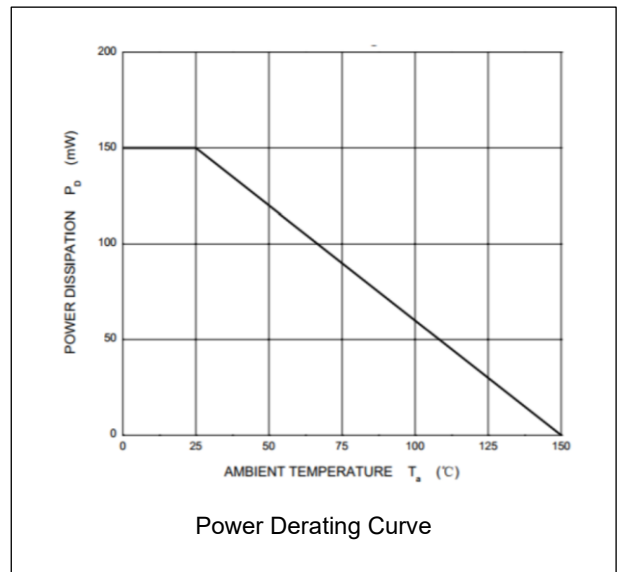
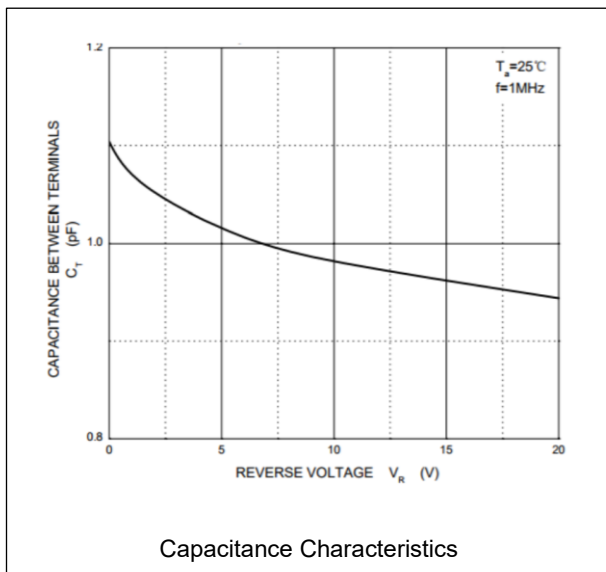
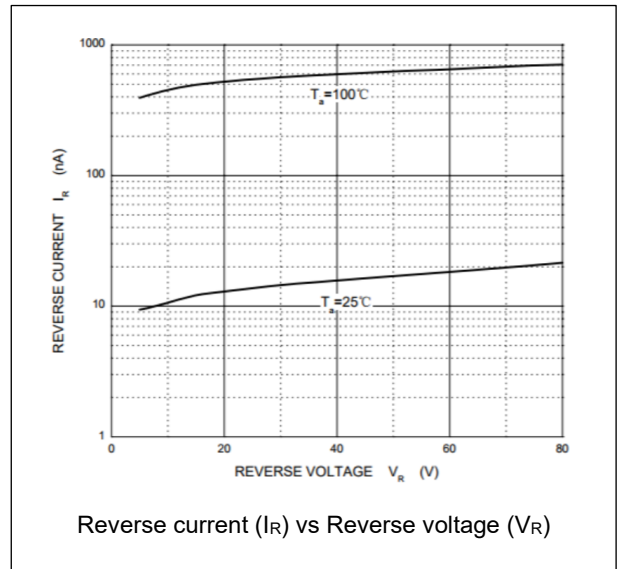
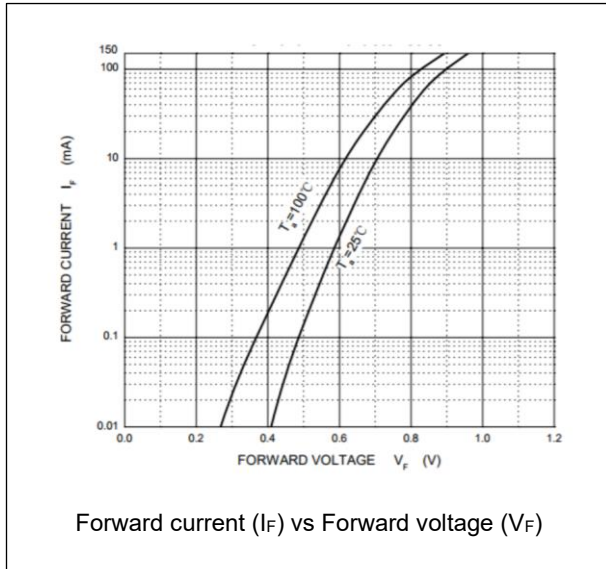
- For General Purpose Switching Applications
- High Conductance
- RoHS Compliant / Green EMC UL Flammability Classification Rating 94V-0
- Matte Tin (Sn) Lead finish Solderable per MIL-STD-202, Method 208
- Moisture Sensitivity: Level 1 per J-STD-020



Maximum Ratings (TA = 25 °C unless otherwise noted)			
PARAMETER	SYMBOL	VALUE	UNIT
Repetitive Peak Reverse Voltage	$V_{RRM}$	75	V
Forward Current	$I_F$	200	mA
Power Dissipation	$P_{TM}$	150	mW
Junction Temperature	$T_J$	150	°C
Storage Temperature	$T_{STG}$	-55 to +150	°C

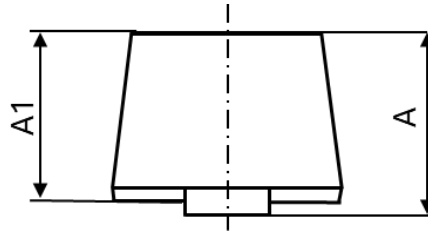
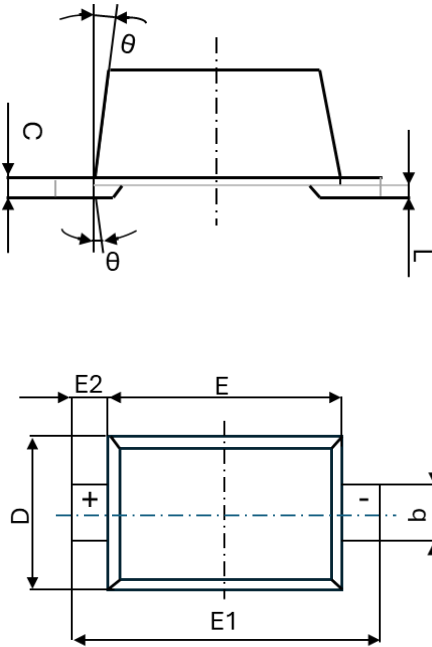
ELECTRICAL CHARACTERISTICS (TA = 25 °C unless otherwise noted)					
PARAMETER	SYMBOL	CONDITION	MIN	MAX	UNIT
Reverse Voltage	$V_R$	$I_R = 100\mu A$	75		V
Forward Voltage	$V_F$	$I_F = 1mA$		0.715	V
		$I_F = 10mA$		0.855	
		$I_F = 50mA$		1.00	
		$I_F = 150mA$		1.25	
Reverse Current	$I_R$	$V_R = 75V$		1	$\mu A$
Capacitance	$C_T$	$V_R = 0V, f = 1MHz$		2.0	pF
Reverse Recovery Time	$t_{rr}$	$I_F = I_R = 10mA,$ $V_R = 0V, R_L = 50\Omega$		6	ns

### RATING AND CHARACTERISTICS CURVES



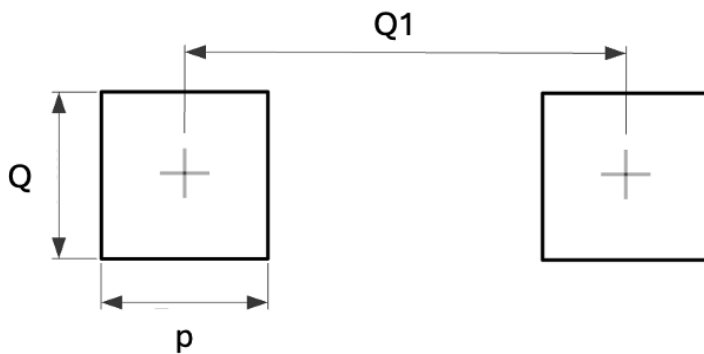
### PACKAGE OUTLINE DIMENSIONS

SOD-523



Symbol	MIN	MAX
A	0.51	0.77
A1	0.50	0.70
b	0.25	0.35
c	0.08	0.15
D	0.75	0.85
E	1.10	1.30
E1	1.50	1.70
E2	0.20REF.	
L	0.01	0.07
θ	7°REF.	
Unit: mm		

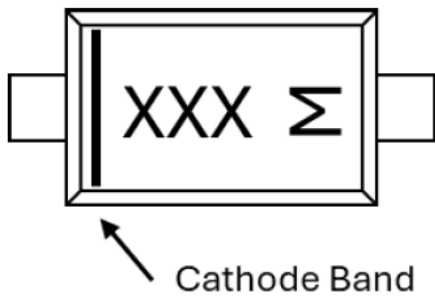
### SUGGESTED PAD LAYOUT



Symbol	Type
Q1	1.42
Q	0.7
p	0.6
Unit: mm	

### DEVICE MARKING CODE AND ORDERING INFORMATION

DEVICE	Marking	Quantity	Packing
BAS16X	A6	8000/7"Reel	Tape & Reel



XXX: Product Marking Code

Σ : Date Code (Rotate 90° counterclockwise)

Odd Year	Even Year
1	E
2	F
3	H
4	J
5	K
6	L
7	N
8	P
9	U
T	X
V	Y
C	Z

**NOTICE:**

AZUREMOTO'S PRODUCTS ARE NOT AUTHORIZED FOR USE AS COMPONENTS IN ANY LIFE SUPPORT DEVICES OR SYSTEMS. AZUREMOTO RESERVES THE RIGHT TO MAKE CHANGES WITHOUT FURTHER NOTICE TO ANY PRODUCTS HEREIN TO IMPROVE RELIABILITY OR RUGGEDNESS.